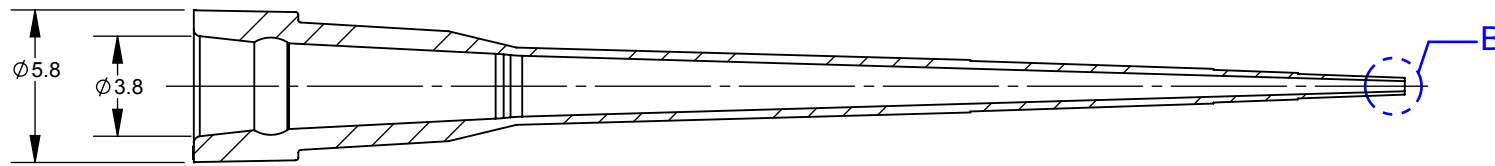
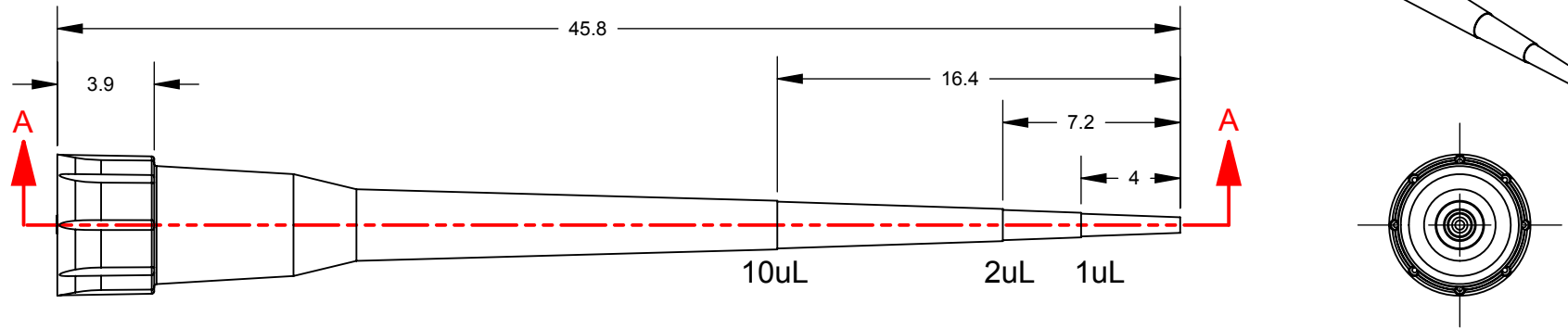
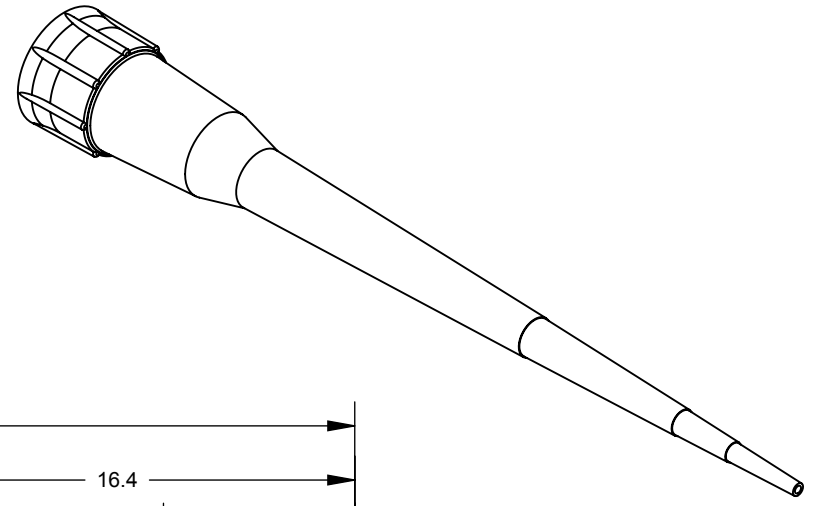
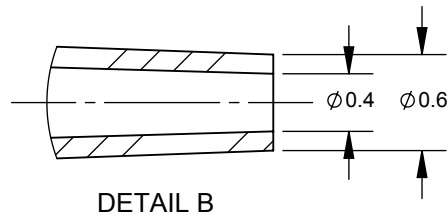


WITH 1uL GRADUATION LINE



SECTION A-A



DETAIL B

**PR1MA XL 10  $\mu$ L**

1-10  $\mu$ L PIPETTE TIP

**PR1MA™**

ALL DIMENSIONS ARE IN MILLIMETERS