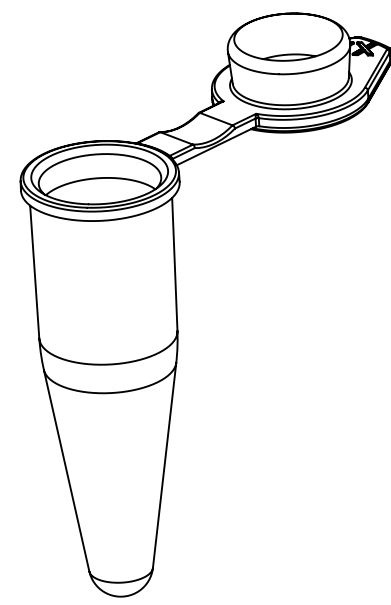
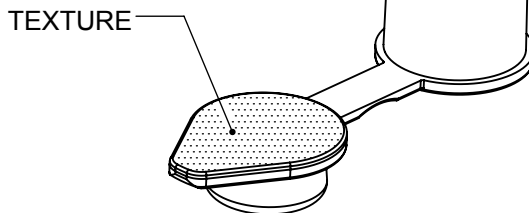


SECTION A-A  
SCALE 4 : 1



**PR1MA™**

**PR-PCR2FF**

*0.2 mL PCR TUBE W/ FLAT TEXTURED CAP*

ALL DIMENSIONS ARE IN MILLIMETERS

ORDER TODAY! [midsci.com](http://midsci.com) • [custserv@midsci.com](mailto:custserv@midsci.com) • 800.227.9997 • f: 636.225.9998