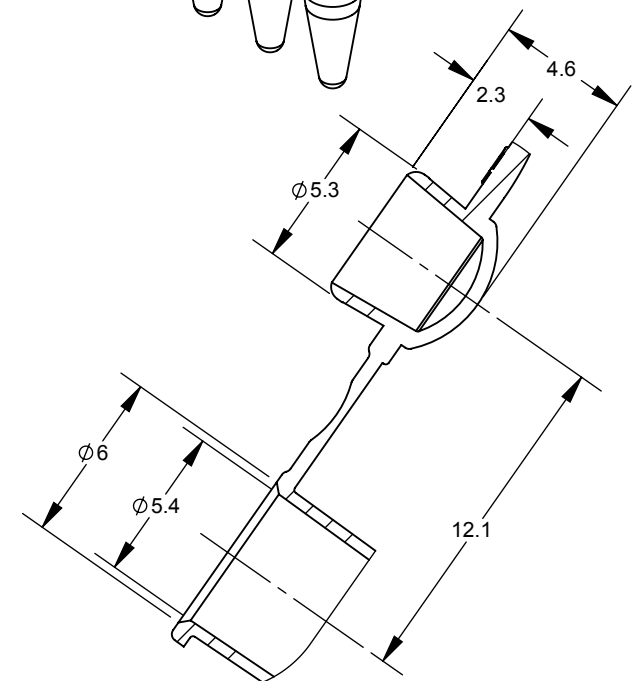


SECTION A-A
SCALE: 1.6 : 1



DETAIL B
SCALE: 3.8 : 1
TYP



PR-PCR28ACD

8-STRIP PCR TUBE W/ SNAP STRIP DOME CAP

ALL DIMENSIONS ARE IN MILLIMETERS

ORDER TODAY! midsci.com • custserv@midsci.com • 800.227.9997 • f: 636.225.9998