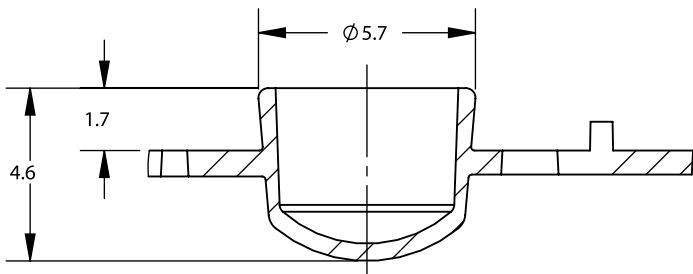
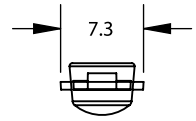
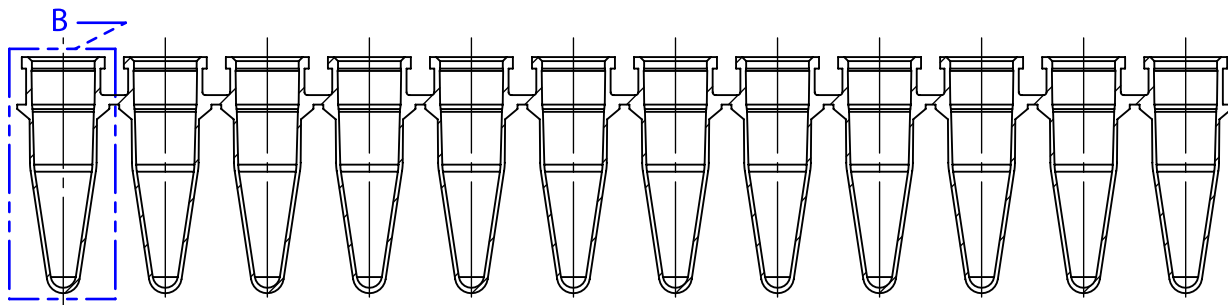
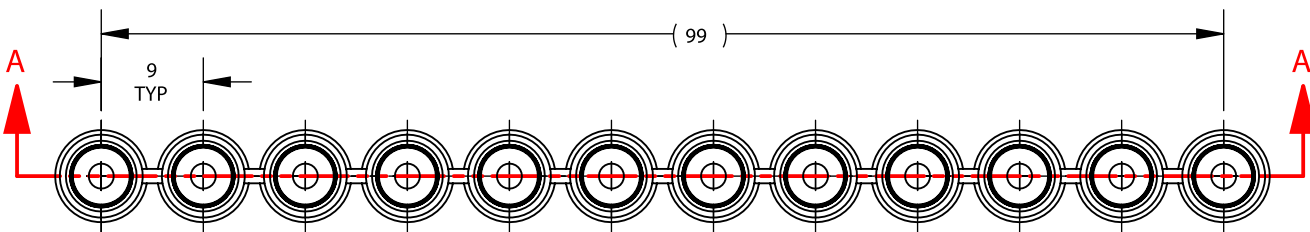
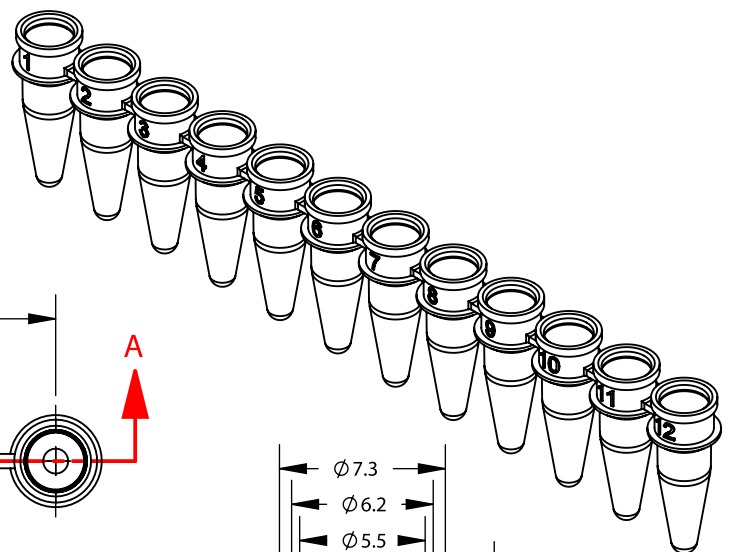


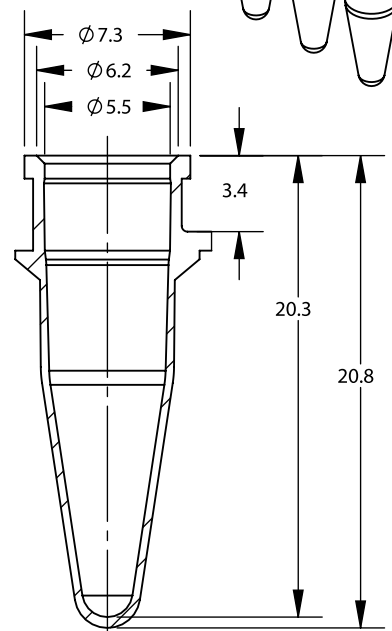
SECTION A-A
SCALE: 1.5 : 1



DETAIL B
SCALE: 5 : 1
TYP



SECTION A-A
SCALE: 1.5 : 1



DETAIL B
SCALE: 3 : 1
TYP



PR-PCR212CD

12-STRIP PCR CAP W/ DOME CAP & 12-STRIP PCR TUBE

ALL DIMENSIONS ARE IN MILLIMETERS