

# SPEC OF AT200T-H2

STP-JX-Tip-AT200T-H2-A1

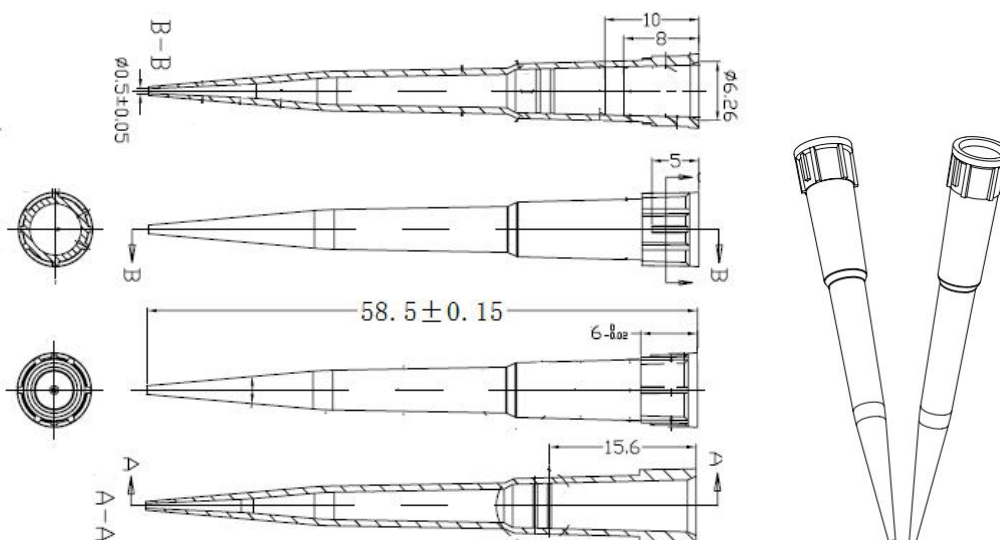
GEB Robotic Tips for Tecan Genesis Freedom®, Freedom Evo®, Miniprep with Liha®.

## Product details at-a-glance

GEB Cat#	Max Volume	Tip Color	Low Retention	Sterilized	Filtered (4.7*3.5)mm	Packaging Spec.
AT200T-H2-N	200ul	Natural				2*96 tips/rack, 5 racks/pack, 10 packs/case 9600 tips/case.
AT200T-H2-N-LB	200ul	Natural	Low Retention			
AT200T-H2-NS	200ul	Natural		Sterilized		
AT200T-H2-NS-LB	200ul	Natural	Low Retention	Sterilized		
AF200T-H2-NS	200ul	Natural		Sterilized	Filtered	
AF200T-H2-NS-LB	200ul	Natural	Low Retention	Sterilized	Filtered	
AT200T-H2-X	200ul	Black				2*96 tips/rack, 5 racks/pack, 10 packs/case 9600 tips/case. (Conductive black)
AT200T-H2-X-LB	200ul	Black	Low Retention			
AT200T-H2-XS	200ul	Black		Sterilized		
AT200T-H2-XS-LB	200ul	Black	Low Retention	Sterilized		
AF200T-H2-XS	200ul	Black		Sterilized	Filtered	
AF200T-H2-XS-LB	200ul	Black	Low Retention	Sterilized	Filtered	
Case dimension L*W*H: 465*295*455 mm.			Gross Weight : 11.6kg			

- ✧ 200µL Liquid Level Sensing Tips
- ✧ 96 Tip/Hanging Tip Rack format, Double stack box packaging
- ✧ Polypropylene
- ✧ Certified DNase/RNase free
- ✧ Nonpyrogenic
- ✧ Presterile/Nonsterile
- ✧ Filtered (Filtered With aerosol-resistant filters)/NonFiltered
- ✧ Endotoxin-Safe meets USP/FDA standards
- ✧ Comply With USP 3127 (Heavy Metal Contamination) standards
- ✧ Compatibility: Tecan Genesis Freedom®, Freedom Evo®, Miniprep with Liha® workstations.

Drawing: (No tolerance Diameter tolerance:  $\pm 0.05\text{mm}$  , Height tolerance:  $\pm 0.25\text{mm}$ )



Prepared by: Anne Oct. 22 , 2020 Approve:WeiMing Yu Oct.22, 2020