

SPEC OF AT01MH-H2-X

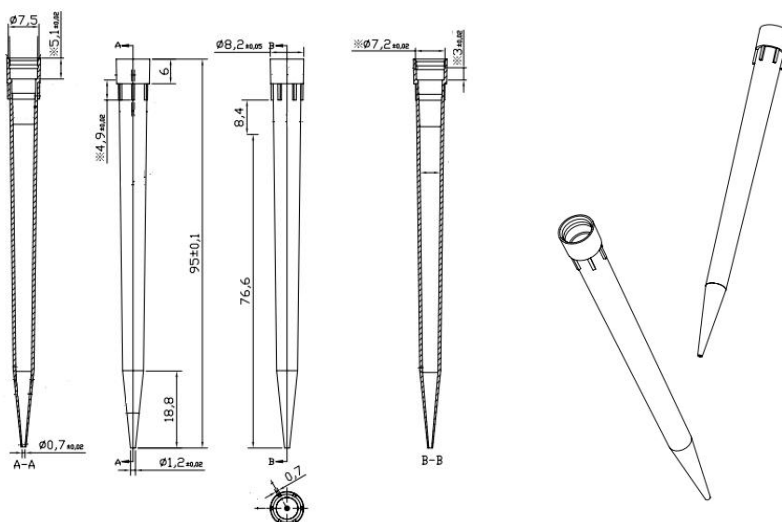
STP-JX-Tip-AT01MH-H2-A1

GEB Robotic Tips for Hamilton STAR®, STAR, STARlet, STARplus and Nimbus®. Laboratory Use Only.

Product details at-a-glance

GEB Cat#	Max Volume	Tip Color	Low Retention	Sterilized	Filtered (2.8*3.5)mm	Packaging Spec.
AUH000000	1000ul	Black				96 tips/rack, 1,536 tips/case
ANH000000	1000ul	Black	Low Retention		Filtered	
AUH001000	1000ul	Black		Sterilized		
ANH001000	1000ul	Black	Low Retention			
AUH101000	1000ul	Black		Sterilized	Filtered	
ANH101000	1000ul	Black	Low Retention	Sterilized	Filtered	
AT01MH-H2-X	1000ul	Black				2*96 tips/rack, 5 racks/pack, 10 packs/case 9600 tips/case. (Conductive black)
AT01MH-H2-X-LB	1000ul	Black	Low Retention			
AT01MH-H2-XS	1000ul	Black		Sterilized		
AT01MH-H2-XS-LB	1000ul	Black	Low Retention	Sterilized		
AF01MH-H2-XS	1000ul	Black		Sterilized	Filtered	
AF01MH-H2-XS-LB	1000ul	Black	Low Retention	Sterilized	Filtered	
Case dimension L*W*H: 465*295*685 mm.			Gross Weight : 17.4 kg			

- ✧ 1000µL Liquid Level Sensing Tips
- ✧ 96 Tip/Hanging Tip Rack format
- ✧ Double stack box packaging
- ✧ Polypropylene
- ✧ Certified DNase/RNase free
- ✧ Nonpyrogenic
- ✧ Presterile/Nonsterile
- ✧ Filtered(Filtered With aerosol-resistant filters)/NonFiltered
- ✧ Endotoxin-Safe meets USP/FDA standards
- ✧ Comply With USP 3127 (Heavy Metal Contamination) standards
- ✧ Compatibility: Hamilton STAR®, STAR, STARlet, STARplus and Nimbus® workstations.



Prepared by: Anne Oct. 22 , 2020

Approve:WeiMing Yu Oct.22, 2020