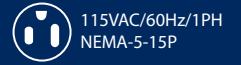
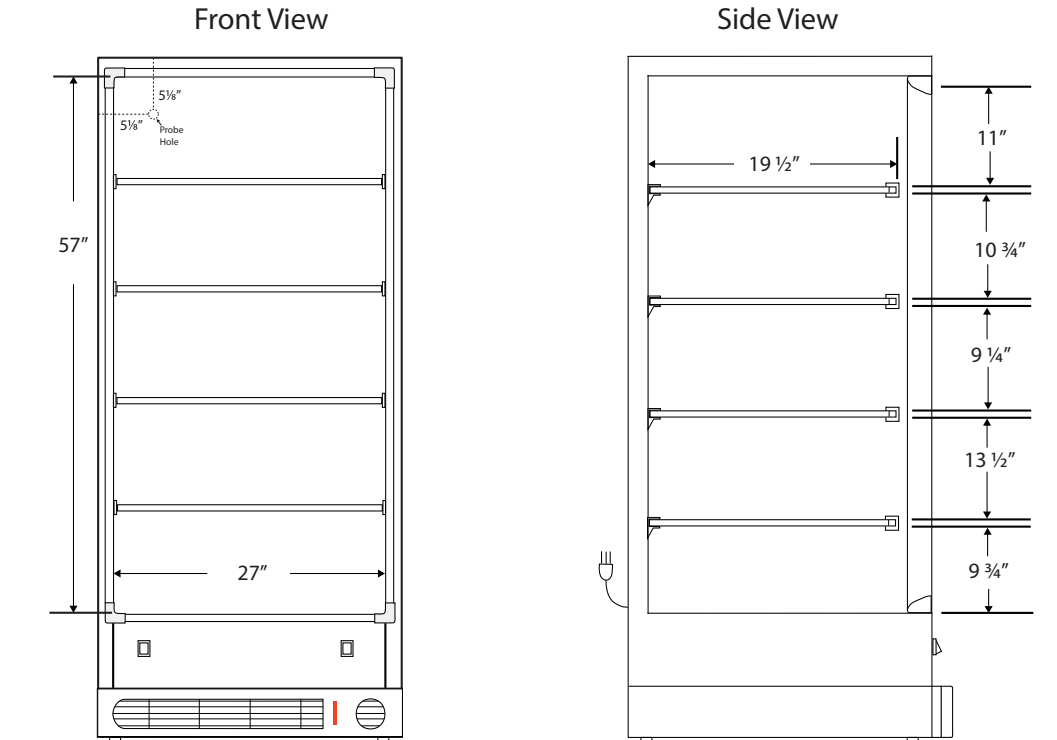


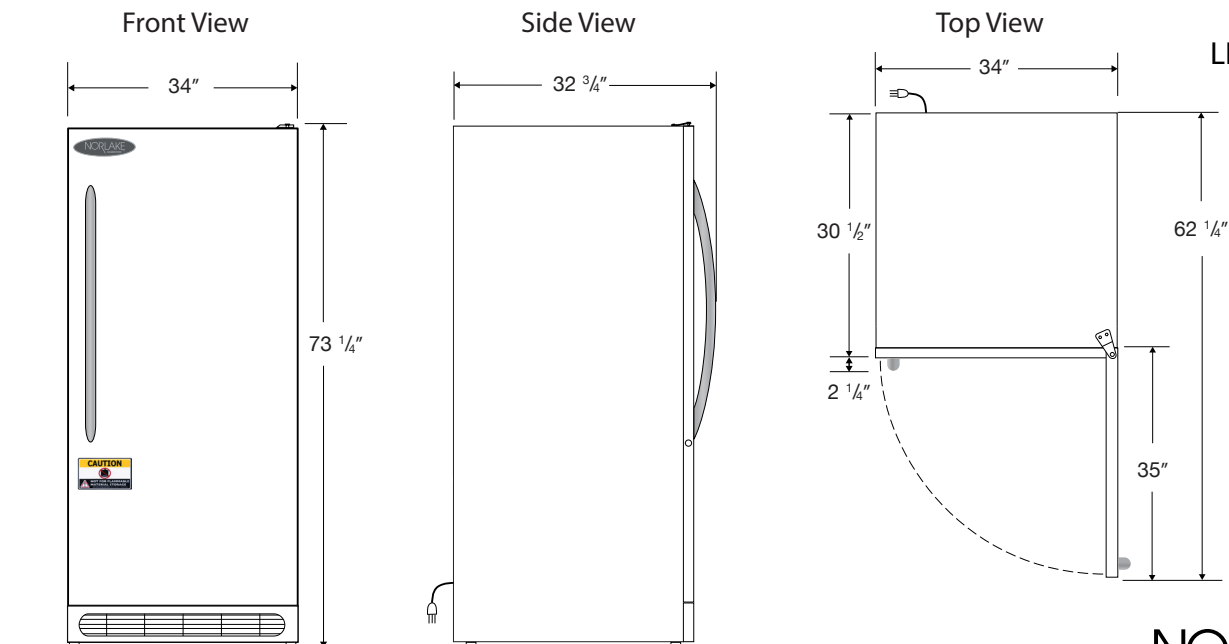
LF201WWW/OM CUTSHEET



Interior LF201WWW/OM



Exterior LF201WWW/OM



NORLAKE
SCIENTIFIC®

Cu. Ft	Defrost	Door	Int Door	Shelves	Interior Dim.			Refrigerant	H.P.	Amps	Weight
					W"	D"	H"				
20	Manual	1 Solid	0	4 Fixed	27	19 1/2	57	R134a	1/3	5	170 lbs.

Note: Interior dimensions are estimates and subject to change without notice