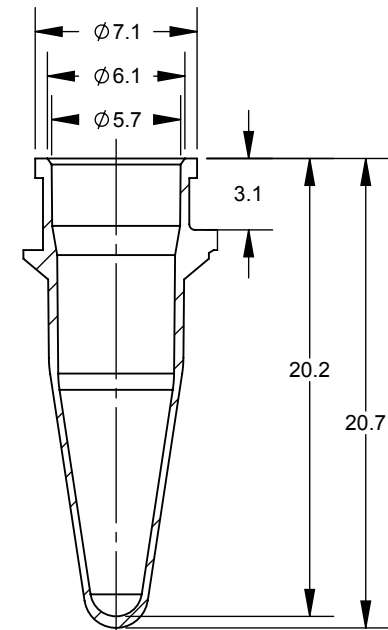
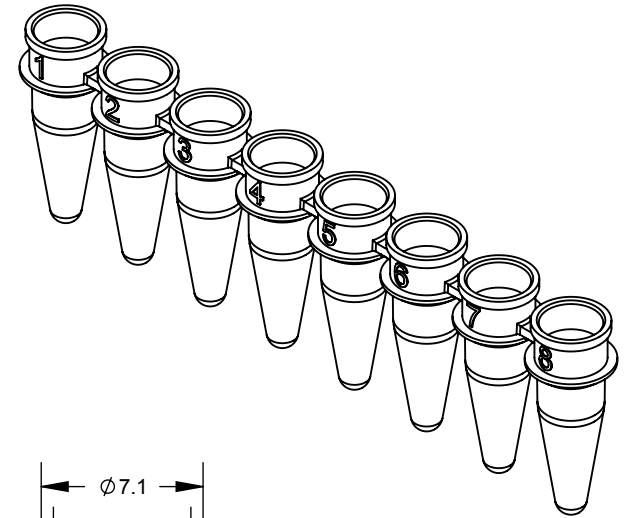


SECTION A-A  
SCALE: 2 : 1



DETAIL B  
SCALE:  
TYP3 : 1

**PR1MA™**

**PR-PCR28**

8-STRIP PCR TUBE

ALL DIMENSIONS ARE IN MILLIMETERS

ORDER TODAY! [midsci.com](http://midsci.com) • [custserv@midsci.com](mailto:custserv@midsci.com) • 800.227.9997 • f: 636.225.9998