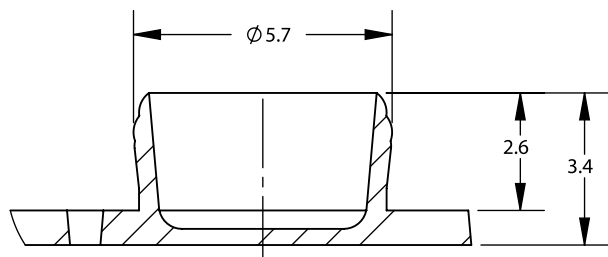
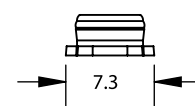
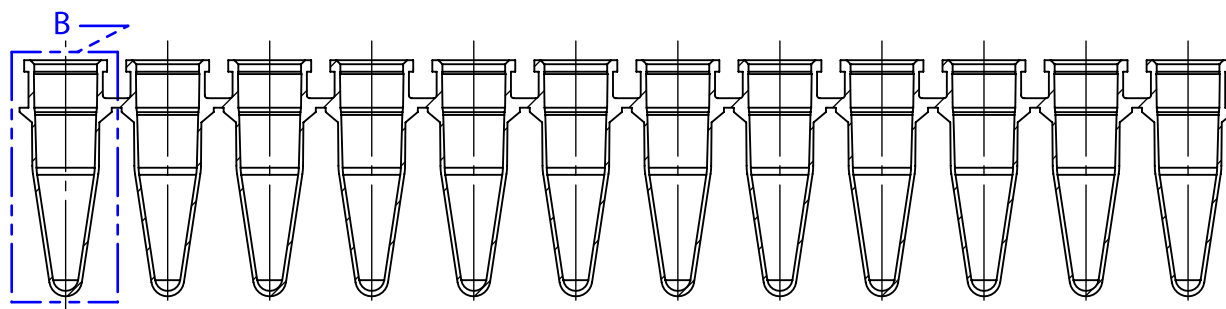
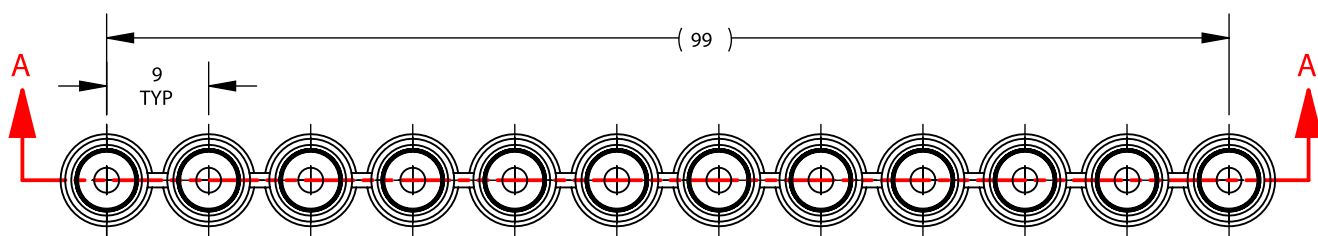


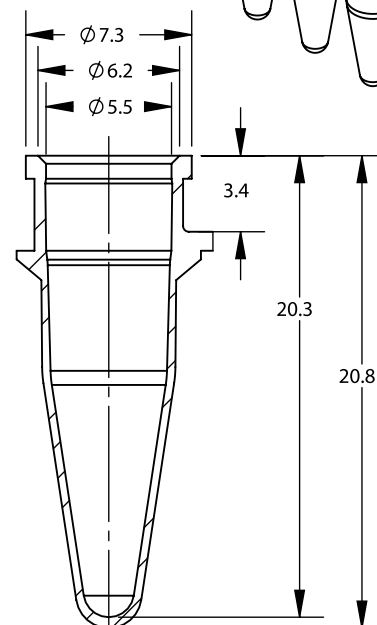
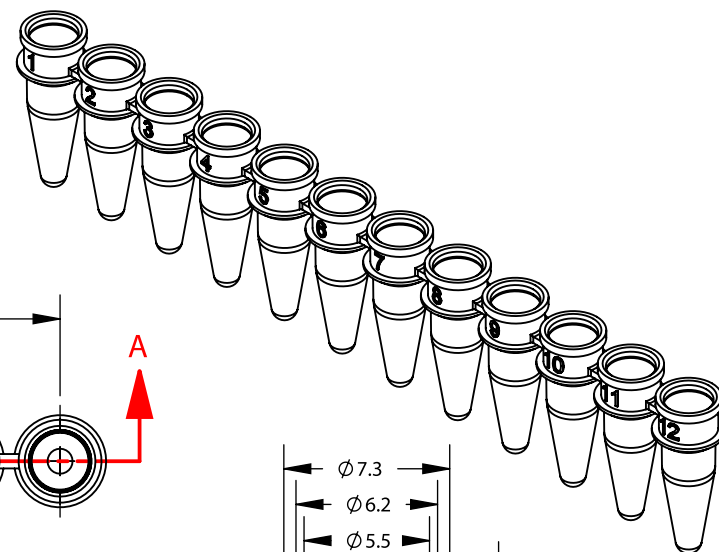
SECTION A-A  
SCALE: 1.6 : 1



DETAIL B  
SCALE: 6 : 1  
TYP



SECTION A-A  
SCALE: 1.5 : 1



DETAIL B  
SCALE: 3 : 1  
TYP



**PR-PCR212CF**

12-STRIP PCR CAP W/ FLAT CAP & 12-STRIP PCR TUBE

ALL DIMENSIONS ARE IN MILLIMETERS