

-25°C Biomedical Freezer

—DW-25L92



Hydrocarbon Energy-saving

DW-25L92 adopts an efficient hydrocarbon (HC) compressor and optimized refrigeration system, to give a power consumption of just 0.65KW·h/24h.



Environmentally Friendly

The HC system is a completely green refrigeration solution. With LBA foamed polyurethane insulation in line with European ROHS directive for environmentally friendly materials.



Low Noise

Optimized hydrocarbon system and structural noise reduction design, DW-25L92 noise 27 dB, super quiet and low noise.



Security Lock

Mechanical lock plus lock catch, the mechanical door lock can be opened with one key, and the door lock can be padlocked. Secure and safe, suitable for multiple users.

MIDSCI™

Laboratory Equipment & Supplies

-25°C Biomedical Freezer DW-25L92

Product Features



Microprocessor

- Microprocessor electronic temperature controller, LCD digital temperature display, display precision is 0.1°C, temperature set point -10~-25°C.
- Multiple alarms including high and low temperature, sensor error, power failure, door ajar, high ambient and remote alarm.
- Alarm mode: sound and light alarm.
- It can be connected to remote alarm.



Undercounter Biomedical Freezer

The DW-25L92 cabinet is designed with a height of 810mm, which can be easily placed under the bench to save storage space.



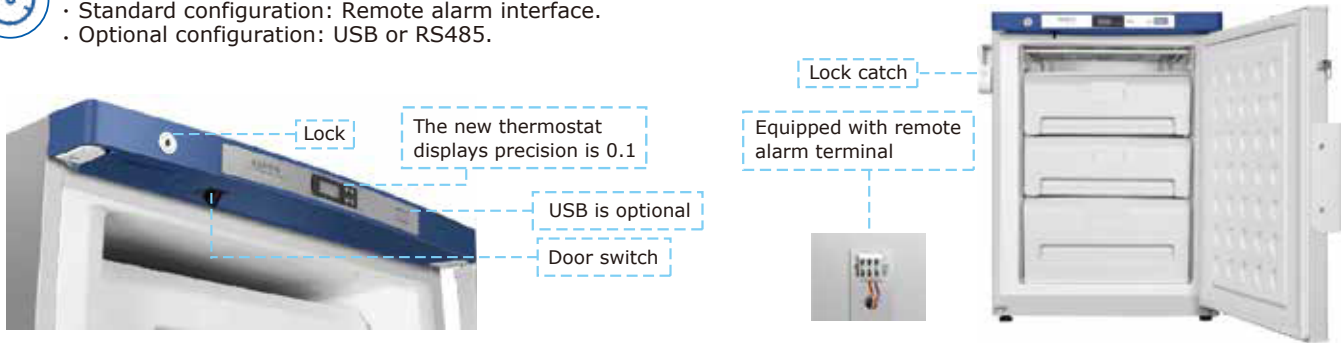
Porthole

There is a standard access port (25mm inside diameter) on the left side of the unit, which is convenient for users to test independently.



Multiple Interface Options

- Standard configuration: Remote alarm interface.
- Optional configuration: USB or RS485.



Key W0=TOTAL WIDTH W1=FREEZER WIDTH W2=INNER CABINET WIDTH W3=INNER CABINET SHELF WIDTH D0=TOTAL DEPTH D1=INNER CABINET DEPTH D2=INNER CABINET SHELF DEPTH H0=TOTAL HEIGHT H1=INNER CABINET HEIGHT										
MODEL	CODE	W0	W1	W2	W3	D0	D1	D2	H0	H1
DW-25L92		640mm	597mm	435mm	410mm	610mm	410mm	294mm	810mm	635mm

Product Features

Defrost Mode	Refrigerant	Sound Level (dB(A))	Cooling Performance (°C)	Temperature Range (°C)	Power Supply (V/Hz)	Power (W)
Manual	HC	27	-25	-10~-25	220~240/50	255
Electrical Current (A)	Power Consumption (kW·h/24h)	Capacity (L/Cu.Ft)	Net/Gross Weight (approx)(kg)	Internal Dimension(W*D*H)(mm)		
1.2	0.65	92/3.2	46/51	435*410*635		
Exterior Dimension(W*D*H)(mm)	Container Load (20'/40'/40'H)	Alarms			Certification	
640*610*810	48/108/108	High/Low Temperature, Remote Alarm, Power Failure, Sensor Error, High Ambient Temperature, Door Ajar			CE	